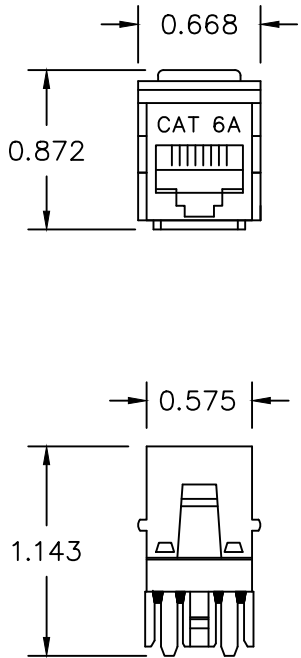
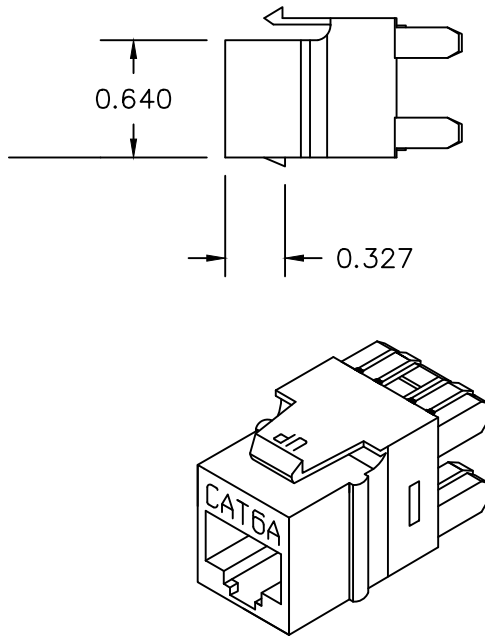


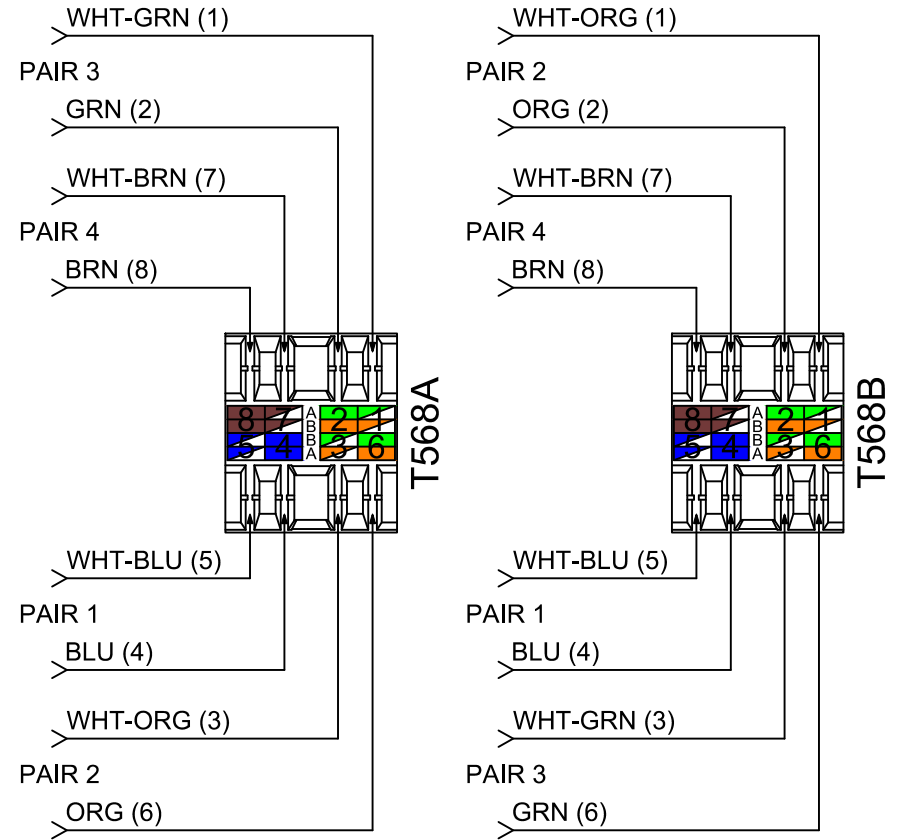
FRONT VIEW



SIDE VIEW



BOTTOM VIEW



NOTES:

1. HOUSING: ABS UL94V-0
2. 110 TERMINATION
3. ISOLATING CAP PROVIDES REQUIRED ANEXT PROTECTION
4. DIMENSIONS ARE IN INCHES
5. XX=COLOR: 00-BLACK, 04-YELLOW, 05-GREEN, 09-IVORY, 14-GREY, 15-WHITE, 16-ORANGE, 20-BLUE, 47-RED, 52-EL. IVORY



ALLEN TEL PRODUCTS, INC.
30 TV5 DRIVE, HENDERSON, NEVADA 89014

AT10G-XX
10Gb CAT 6A E-Z JACK MODULE